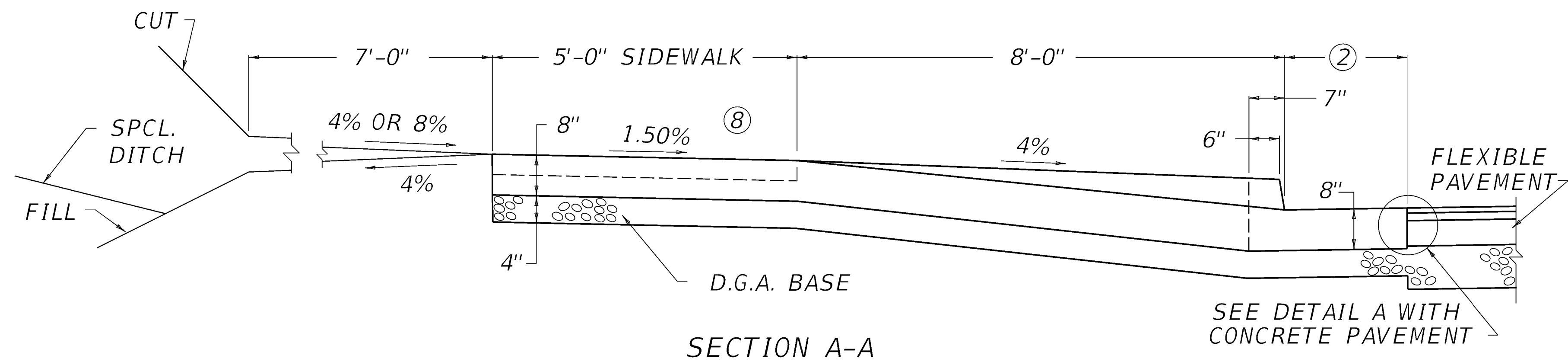


ISOMETRIC VIEW



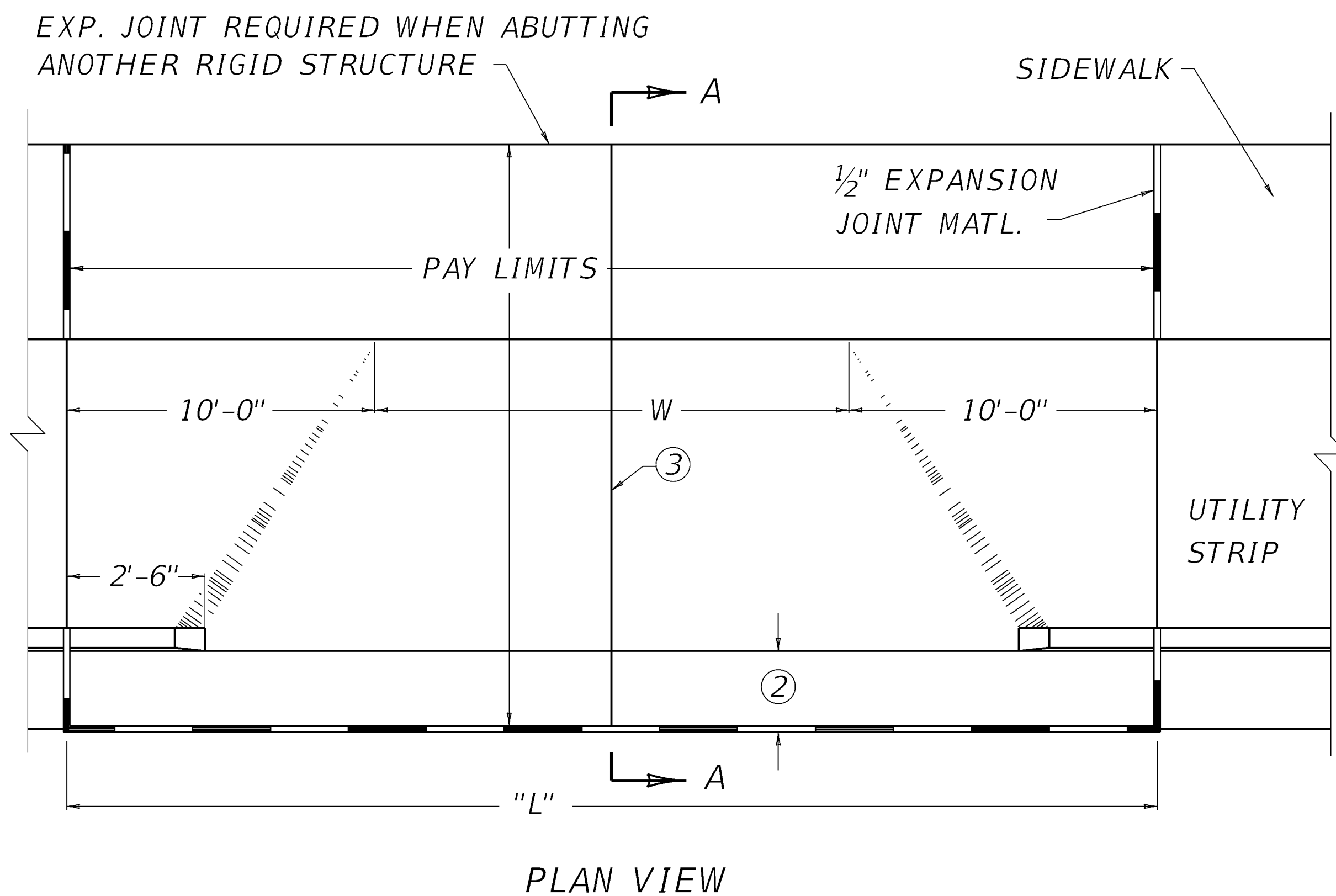
SECTION A-A

~ NOTES ~

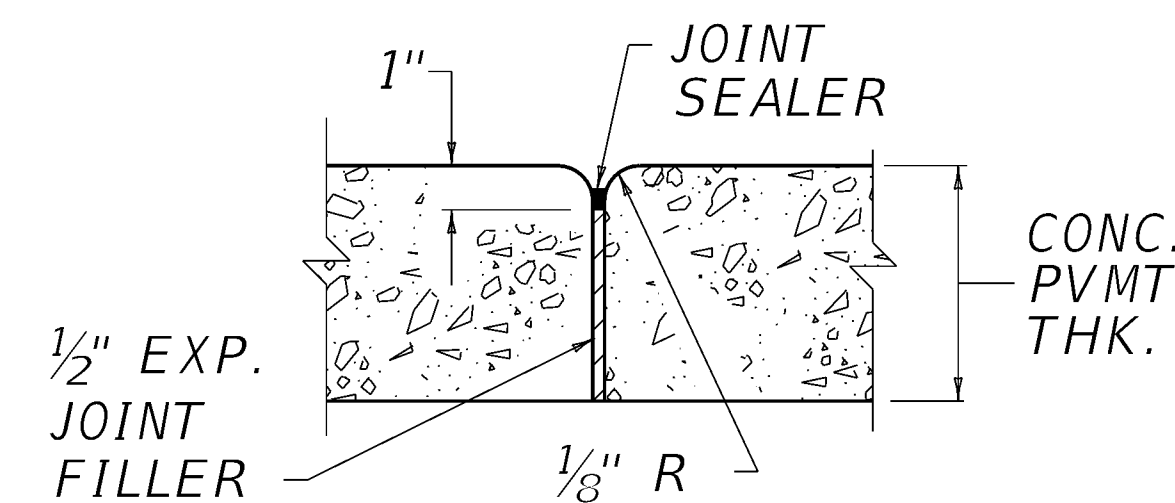
1. FOR WIDTH "W":
COMMERCIAL - MINIMUM W = 24'-0", MAXIMUM W = 36'-0"
WHEN MORE THAN TWO LANES ARE REQUIRED, 36' WIDTH MAY BE INCREASED TO RELIEVE INTERFERENCE BETWEEN ENTERING AND EXITING TRAFFIC. AT THE ENGINEER'S DISCRETION RADIAL RETURNS MAY BE USED ON ENTRANCES. SOME APPLICABLE CASES ARE THE FOLLOWING:
 - a. ON ENTRANCES EXPECTED TO CARRY HIGH VOLUMES OF TRAFFIC.
 - b. WHEN ENTRANCE WIDTH IS GREATER THAN 36'.
 - c. WHEN THE HIGHWAY HAS A POSTED OR OPERATING SPEED OVER 40 MPH.
 - d. ON A RURAL SECTION WHERE A FLUSH SHOULDER EXISTS.
 - e. WHERE AN EXCLUSIVE RIGHT TURN LANE IS USED.
- ② 1'-0" OR 2'-0" WITH CONCRETE PAVEMENT, 2'-0" WITH FLEXIBLE PAVEMENT.
- ③ WHEN "L" DIMENSION IS GREATER THAN 15'-0" A SAWED AND SEALED JOINT, 2" DEEP AND 1/4" WIDE SHALL BE PLACED AT THE CENTER OF THE "L" DIMENSION. WIDE ENTRANCES REQUIRE ADDITIONAL JOINTS, SPACING SHALL NOT EXCEED 15'-0" O.C.
4. CLASS "A" CONCRETE OR JOINTED PLAIN CONCRETE PAVEMENT SHALL BE USED IN THE ENTRANCE PAVEMENT.
5. THE ENTRANCE PAVEMENT SHALL RECEIVE A BROOM FINISH AND SHALL BE CURED THE SAME AS THE MAINLINE PAVEMENT AND/OR SIDEWALK.
6. THE CONTRACT UNIT PRICE BID PER SQUARE YARD FOR "CEM CONC ENT PAVEMENT-8 IN" SHALL INCLUDE CLASS "A" CONCRETE AND ALL INCIDENTALS NECESSARY TO COMPLETE THE WORK. D.G.A. AND DETECTABLE WARNINGS ARE SEPARATE BID ITEMS.
7. PROVIDING THAT ADA GUIDELINES SHOWN IN NOTE ⑧ AND 9 ARE FOLLOWED, THE ENGINEER MAY MODIFY THE DESIGN TO BETTER FIT EXISTING CONDITIONS.
- ⑧ 2.00% CROSS SLOPE MAXIMUM, 1.50% DESIRABLE, ON SIDEWALK.
9. WHERE THE SIDEWALK IS CONTAINED WITHIN A HIGHWAY RIGHT-OF-WAY, THE GRADE SHALL NOT EXCEED THE GRADE ESTABLISHED FOR THE ADJACENT STREET.
- ⑩ COMMERCIAL DRIVEWAYS WITH TRAFFIC CONTROL DEVICES REQUIRE ADA SIDEWALK TREATMENTS WITH DETECTABLE WARNINGS.

BID ITEMS AND UNIT TO BID
CEM CONC ENT PAVEMENT-8 IN
DGA BASE
DETECTABLE WARNINGS

SQYD
TON
SQFT



PLAN VIEW



DETAIL A

USE WITH CUR. STD. DWG. RGX-040

SUBMITTED W. J. Sypsa 05-03-2024
DIVISION DIRECTOR DATE



COMMONWEALTH OF KENTUCKY
DEPARTMENT OF HIGHWAYS

DRAWING TITLE: SEPIA 040 - CONCRETE ENTRANCE PAVEMENT AND SIDEWALK

ITEM NO. COUNTY OF

SHEET NO.